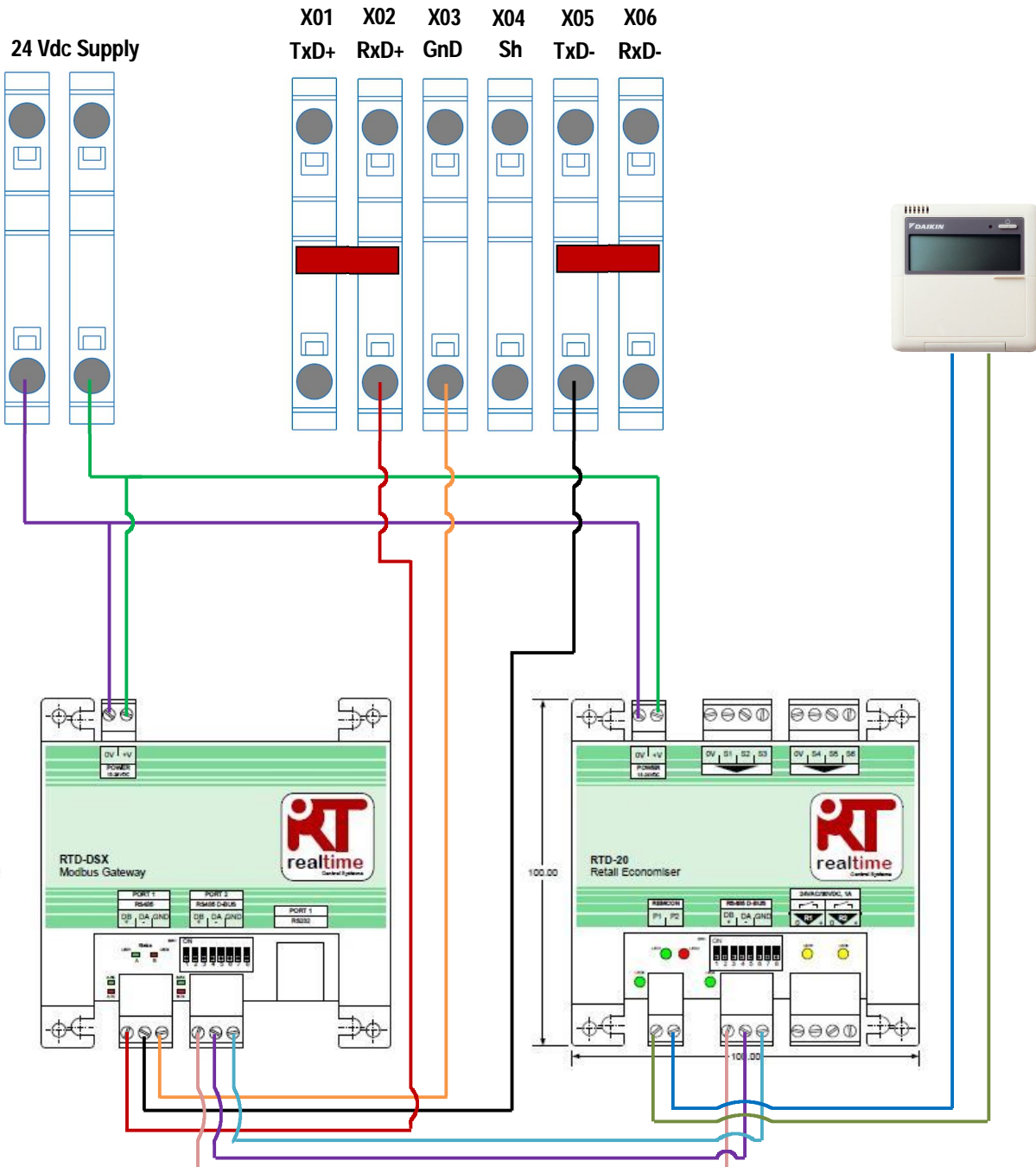


Daikin Modbus Interface RTD-20 Economiser

Connector Block Panel



Wired for half Duplex

Data B+ ———

Data A- ———

Gnd ———

Link for Half Duplex

Title	
Daikin RTD-20 Wiring Diagram	
Author	SJ Shoubridge
Date	01/03/2014 Sheet 1
Revision	